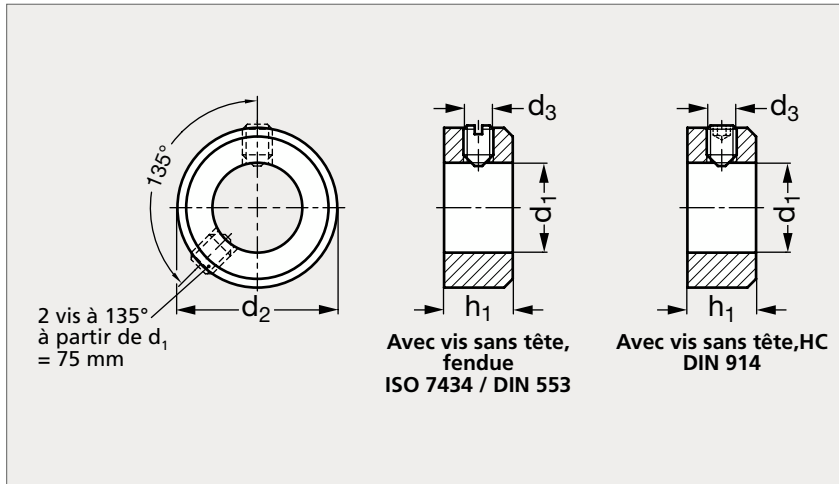


# Bague d'arrêt acier ou inox

31-70



Acier



Inox

## MATIÈRE

- Acier bruni ou zingué, passivé bleu ou inox (AFNOR Z 8 CNF 18-09, Werk 1.4305, AISI 303).

## Bague d'arrêt acier ou inox

31-70

ACIER BRUNI						ACIER ZINGUÉ		INOX	
Vis fendue	Vis HC	d <sub>1</sub> H8	d <sub>2</sub>	d <sub>3</sub>	h <sub>1</sub> js14	Vis HC	Vis HC		
31-700- 5	31-701- 5	5	10	M 3x 4	6	31-702- 5	31-705- 5		
31-700- 6	31-701- 6	6	12	M 4x 5	8	31-702- 6	31-705- 6		
31-700- 7	31-701- 7	7	12	M 4x 5	8	31-702- 7	31-705- 7		
31-700- 8	31-701- 8	8	16	M 4x 6	8	31-702- 8	31-705- 8		
31-700- 9	31-701- 9	9	18	M 5x 8	10	31-702- 9	31-705- 9		
31-700-10	31-701-10	10	20	M 5x 8	10	31-702-10	31-705-10		
31-700-11	31-701-11	11	20	M 5x 8	10	31-702-11	31-705-11		
31-700-12	31-701-12	12	22	M 6x 8	12	31-702-12	31-705-12		
31-700-13	31-701-13	13	22	M 6x 8	12	31-702-13	31-705-13		
31-700-14	31-701-14	14	25	M 6x 8	12	31-702-14	31-705-14		
31-700-15	31-701-15	15	25	M 6x 8	12	31-702-15	31-705-15		
31-700-16	31-701-16	16	28	M 6x 8	12	31-702-16	31-705-16		
31-700-18	31-701-18	18	32	M 6x 8	14	31-702-18	31-705-18		
31-700-20	31-701-20	20	32	M 6x 8	14	31-702-20	31-705-20		
31-700-22	31-701-22	22	36	M 6x10	14	31-702-22	31-705-22		
31-700-24	31-701-24	24	40	M 8x12	16	31-702-24	31-705-24		
31-700-25	31-701-25	25	40	M 8x10	16	31-702-25	31-705-25		
31-700-26	31-701-26	26	40	M 8x10	16	31-702-26	31-705-26		
31-700-28	31-701-28	28	45	M 8x12	16	31-702-28	31-705-28		
31-700-30	31-701-30	30	45	M 8x10	16	31-702-30	31-705-30		
31-700-32	31-701-32	32	50	M 8x12	16	31-702-32	31-705-32		
31-700-34	31-701-34	34	50	M 8x12	16		31-705-34		
31-700-35	31-701-35	35	56	M 8x12	16	31-702-35	31-705-35		
31-700-36	31-701-36	36	56	M 8x12	16		31-705-36		
31-700-38	31-701-38	38	56	M 8x12	16		31-705-38		
31-700-40	31-701-40	40	63	M10x16	18	31-702-40	31-705-40		
31-700-42	31-701-42	42	63	M10x16	18		31-705-42		
31-700-45	31-701-45	45	70	M10x16	18	31-702-45	31-705-45		
31-700-48	31-701-48	48	70	M10x16	18		31-705-48		
31-700-50	31-701-50	50	80	M10x16	18	31-702-50	31-705-50		
31-700-52	31-701-52	52	80	M10x16	18				
31-700-55	31-701-55	55	80	M10x16	18				
31-700-60	31-701-60	60	90	M10x16	20	31-702-60			
31-700-65	31-701-65	65	100	M10x20	20				
31-700-70	31-701-70	70	100	M10x20	20	31-702-70			
31-700-75	31-701-75	75	110	M12x20	22				
31-700-80	31-701-80	80	110	M12x20	22	31-702-80			

Exemple  
de commandeRéférence  
**31-700-5**

SÉRIE 31

composants.emile-maurin.fr **EMILE MAURIN**  
ELEMENTS STANDARD MECANIQUE