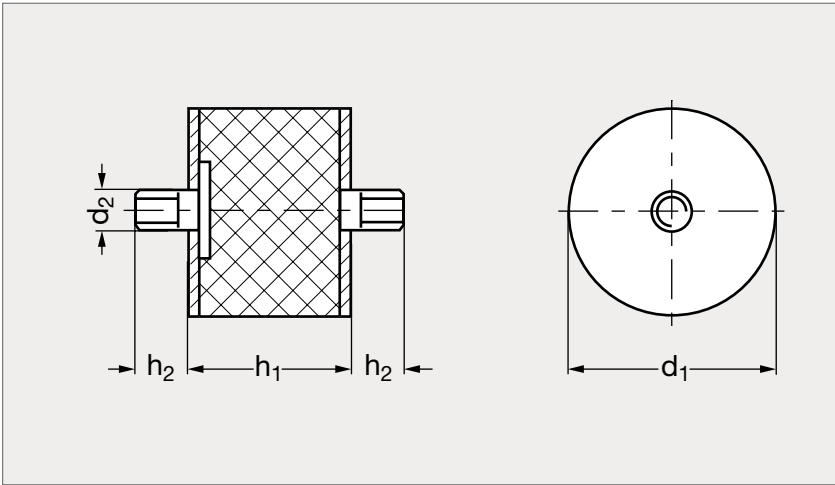


Plot antivibratoire cylindrique, fileté-fileté, acier ou inox, 55 Shore

35-24**MATIÈRE**

- Élastomère naturel dureté 55 Shore.
- Tige en acier zingué, passivé bleu ou en inox A2 (AFNOR Z 6 CN 18-09, Werk 1.4301, AISI 304).

UTILISATION

- Absorbe les vibrations, amortit les chocs.
- Compense les écarts de tolérances de fabrication.
- Température d'emploi jusqu'à 80 °C.

Plot antivibratoire cylindrique, fileté-fileté, acier ou inox, 55 Shore

35-24

| Acier | d ₁ | d ₂ | h ₁ | h ₂ | Rigidité (N/mm) | Charge max. (daN) | Écrasement (mm) | Inox |
|------------|----------------|----------------|----------------|----------------|-----------------|-------------------|-----------------|------------|
| 35-240- 8 | 8 | M3 | 8 | 6 | 43 | 8,5 | 2 | 35-245- 8 |
| 35-240- 8 | 8 | M3 | 13 | 6 | 19 | 6,3 | 3,25 | 35-245- 8 |
| 35-240- 10 | 10 | M4 | 10 | 10 | 40 | 10 | 2,5 | 35-245- 10 |
| 35-240- 10 | 10 | M4 | 15 | 10 | 27 | 10 | 3,75 | 35-245- 10 |
| 35-240- 10 | 10 | M4 | 20 | 10 | 18 | 9,3 | 5 | 35-245- 10 |
| 35-240- 13 | 13 | M5 | 10 | 10 | 60 | 12 | 2 | |
| 35-240- 13 | 13 | M5 | 15 | 10 | 33 | 10 | 3 | |
| 35-240- 13 | 13 | M5 | 20 | 10 | 25 | 8 | 3,25 | |
| 35-240- 15 | 15 | M4 | 10 | 10 | 130 | 32,5 | 2,5 | 35-245- 15 |
| 35-240- 15 | 15 | M4 | 15 | 10 | 75 | 28 | 3,75 | 35-245- 15 |
| 35-240- 15 | 15 | M4 | 20 | 10 | 47 | 23,5 | 5 | 35-245- 15 |
| 35-240- 15 | 15 | M4 | 25 | 10 | 37 | 23,5 | 6,25 | 35-245- 15 |
| 35-240- 16 | 16 | M5 | 10 | 12 | 130 | 20 | 1,5 | |
| 35-240- 16 | 16 | M5 | 15 | 12 | 65 | 20 | 3 | |
| 35-240- 16 | 16 | M5 | 20 | 12 | 38 | 15 | 4 | |
| 35-240- 16 | 16 | M5 | 25 | 12 | 30 | 15 | 5 | |
| 35-240- 20 | 20 | M6 | 8,5 | 16,5 | 666 | 40 | 0,5 | |
| 35-240- 20 | 20 | M6 | 15 | 18 | 130 | 48 | 3,75 | 35-245- 20 |
| 35-240- 20 | 20 | M6 | 20 | 18 | 86 | 43 | 5 | 35-245- 20 |
| 35-240- 20 | 20 | M6 | 25 | 18 | 69 | 43,5 | 6,25 | 35-245- 20 |
| 35-240- 20 | 20 | M6 | 30 | 18 | 56 | 41,5 | 7,5 | 35-245- 20 |
| 35-240-251 | 25 | M6 | 15 | 18 | 285 | 107 | 3,75 | 35-245-251 |
| 35-240-251 | 25 | M6 | 20 | 18 | 125 | 62 | 5 | 35-245-251 |
| 35-240-251 | 25 | M6 | 30 | 18 | 70 | 52,5 | 7,5 | 35-245-251 |
| 35-240- 25 | 25 | M8 | 10 | 20 | 533 | 80 | 1,5 | |
| 35-240- 25 | 25 | M8 | 15 | 20 | 240 | 60 | 2,5 | |
| 35-240- 25 | 25 | M8 | 22 | 20 | 125 | 50 | 4 | |
| 35-240- 25 | 25 | M8 | 25 | 20 | 91 | 50 | 5,5 | |
| 35-240- 25 | 25 | M8 | 30 | 20 | 66 | 50 | 7,5 | |
| 35-240- 25 | 25 | M8 | 40 | 20 | 50 | 50 | 10 | |
| 35-240- 30 | 30 | M8 | 15 | 20 | 555 | 208 | 3,75 | 35-245- 30 |
| 35-240- 30 | 30 | M8 | 22 | 20 | 160 | 80 | 5 | |
| 35-240- 30 | 30 | M8 | 30 | 20 | 140 | 105 | 7,5 | 35-245- 30 |
| 35-240- 30 | 30 | M8 | 40 | 20 | 93 | 93 | 10 | 35-245- 30 |
| 35-240-401 | 40 | M8 | 20 | 23 | 485 | 243 | 5 | 35-245-401 |
| 35-240-401 | 40 | M8 | 30 | 23 | 210 | 157 | 7,5 | 35-245-401 |

| Acier | d ₁ | d ₂ | h ₁ | h ₂ | Rigidité (N/mm) | Charge max. (daN) | Écrasement (mm) | Inox |
|------------|----------------|----------------|----------------|----------------|-----------------|-------------------|-----------------|------------|
| 35-240-401 | 40 | M 8 | 40 | 23 | 140 | 140 | 10 | 35-245-401 |
| 35-240- 40 | 40 | M10 | 20 | 25 | 400 | 160 | 4 | |
| 35-240- 40 | 40 | M10 | 28 | 25 | 250 | 150 | 6 | |
| 35-240- 40 | 40 | M10 | 35 | 25 | 150 | 120 | 8 | |
| 35-240- 40 | 40 | M10 | 40 | 25 | 120 | 120 | 10 | |
| 35-240- 40 | 40 | M10 | 45 | 25 | 110 | 120 | 11 | |
| 35-240- 50 | 50 | M10 | 20 | 28 | 820 | 410 | 5 | 35-245- 50 |
| 35-240- 50 | 50 | M10 | 25 | 25 | 500 | 300 | 6 | |
| 35-240- 50 | 50 | M10 | 30 | 28 | 440 | 330 | 7,5 | 35-245- 50 |
| 35-240- 50 | 50 | M10 | 35 | 25 | 312 | 250 | 8 | |
| 35-240- 50 | 50 | M10 | 40 | 28 | 215 | 213 | 10 | 35-245- 50 |
| 35-240- 50 | 50 | M10 | 45 | 25 | 173 | 190 | 11 | |
| 35-240- 50 | 50 | M10 | 50 | 28 | 175 | 219 | 12,5 | 35-245- 50 |
| 35-240- 60 | 60 | M10 | 25 | 25 | 800 | 400 | 5 | |
| 35-240- 60 | 60 | M10 | 30 | 28 | 555 | 417 | 7,5 | 35-245- 60 |
| 35-240- 60 | 60 | M10 | 36 | 25 | 375 | 300 | 8 | |
| 35-240- 60 | 60 | M10 | 40 | 28 | 360 | 361 | 10 | 35-245- 60 |
| 35-240- 60 | 60 | M10 | 45 | 25 | 227 | 250 | 11 | |
| 35-240- 60 | 60 | M10 | 50 | 28 | 275 | 341 | 12,5 | 35-245- 60 |
| 35-240- 70 | 70 | M10 | 30 | 27 | 1140 | 857 | 7,5 | 35-245- 70 |
| 35-240- 70 | 70 | M10 | 35 | 25 | 562 | 450 | 8 | |
| 35-240- 70 | 70 | M10 | 45 | 27 | 635 | 713 | 11,25 | 35-245- 70 |
| 35-240- 70 | 70 | M10 | 50 | 25 | 318 | 350 | 11 | |
| 35-240- 70 | 70 | M10 | 70 | 25 | 214 | 300 | 14 | |
| 35-240- 75 | 75 | M12 | 25 | 37 | 2075 | 1297 | 6,25 | 35-245- 75 |
| 35-240- 75 | 75 | M12 | 40 | 37 | 700 | 697 | 10 | 35-245- 75 |
| 35-240- 75 | 75 | M12 | 55 | 37 | 545 | 751 | 13,75 | 35-245- 75 |
| 35-240- 80 | 80 | M14 | 30 | 35 | 1357 | 950 | 7 | |
| 35-240- 80 | 80 | M14 | 40 | 35 | 666 | 600 | 9 | |
| 35-240- 80 | 80 | M14 | 70 | 35 | 294 | 500 | 17 | |
| 35-240- 80 | 80 | M14 | 80 | 35 | 237 | 450 | 19 | |
| 35-240-100 | 100 | M16 | 40 | 41 | 2000 | 2000 | 10 | 35-245-100 |
| 35-240-100 | 100 | M16 | 55 | 41 | 950 | 1308 | 13,75 | 35-245-100 |
| 35-240-100 | 100 | M16 | 75 | 41 | 515 | 964 | 18,75 | 35-245-100 |
| 35-240-125 | 125 | M16 | 55 | 41 | 1400 | 1926 | 13,75 | 35-245-125 |
| 35-240-125 | 125 | M16 | 75 | 41 | 1035 | 1944 | 18,75 | 35-245-125 |

Exemple
de commandeRéférence - h₁

35-240-8-13

SÉRIE 35